

Shelter Model# SS150906

W9.0xL15.0xH6.5m

with overhead door W4xH4m

Assembly Instructions



RECOMMENDED TOOLS



YOU MUST READ THIS DOCUMENT BEFORE YOU BEGIN TO ASSEMBLE THE SHELTER.

Thank you for purchasing our shelter. When properly assembled and maintained, this product will provide years of reliable service. These instructions include helpful hints and important information needed to safely assemble and properly maintain the shelter. Please read these instructions **before** you begin.

If you have any questions during the assembly, please contact local dealer for assistance.

SAFETY PRECAUTIONS

- . Wear eye protection.
- . Wear head protection
- . Wear gloves when handling metal tubes
- . Use a portable GFCI (Ground Fault Circuit Interrupter) when working with power tools and cords.
- . Do not climb on the shelter or framing during or after construction.
- . Do not occupy the shelter during high winds, tornadoes, or hurricanes.
- . Provide adequate ventilation if the structure is enclosed.
- . Do not store hazardous materials in the shelter.
- . Provide proper ingress and egress to prevent entrapment.

ANCHORING INSTRUCTIONS

Prior to assembling this shelter, please read the **MUST READ** document included with the shipment.

⚠ WARNING: The anchor assembly is an integral part of the shelter construction. Improper anchoring may cause shelter instability and failure of the structure. Failing to anchor the shelter properly **will void the manufacturer's warranty** and may cause serious injury and damage.

LOCATION

Choosing the proper location is an important step before you begin to assemble the structure.

The following suggestions and precautions will help you determine whether your selected location is the best location.

- . Never erect the structure under power lines.
- . Identify whether underground cables and pipes are present **before** preparing the site or anchoring the structure.
- . Location should be away from structures that could cause snow to drift on or around the building
- . Do not position the shelter where large loads such as snow and ice, large tree branches, or other overhead obstacles could fall.
- . Your shelter's cover can be quickly removed and stored prior to severe weather conditions. If strong winds or severe weather is forecast in your area, we recommend removal of cover.

SITE

After choosing a location, proper preparation of the site is essential. The following site characteristics will help ensure the integrity of the structure.

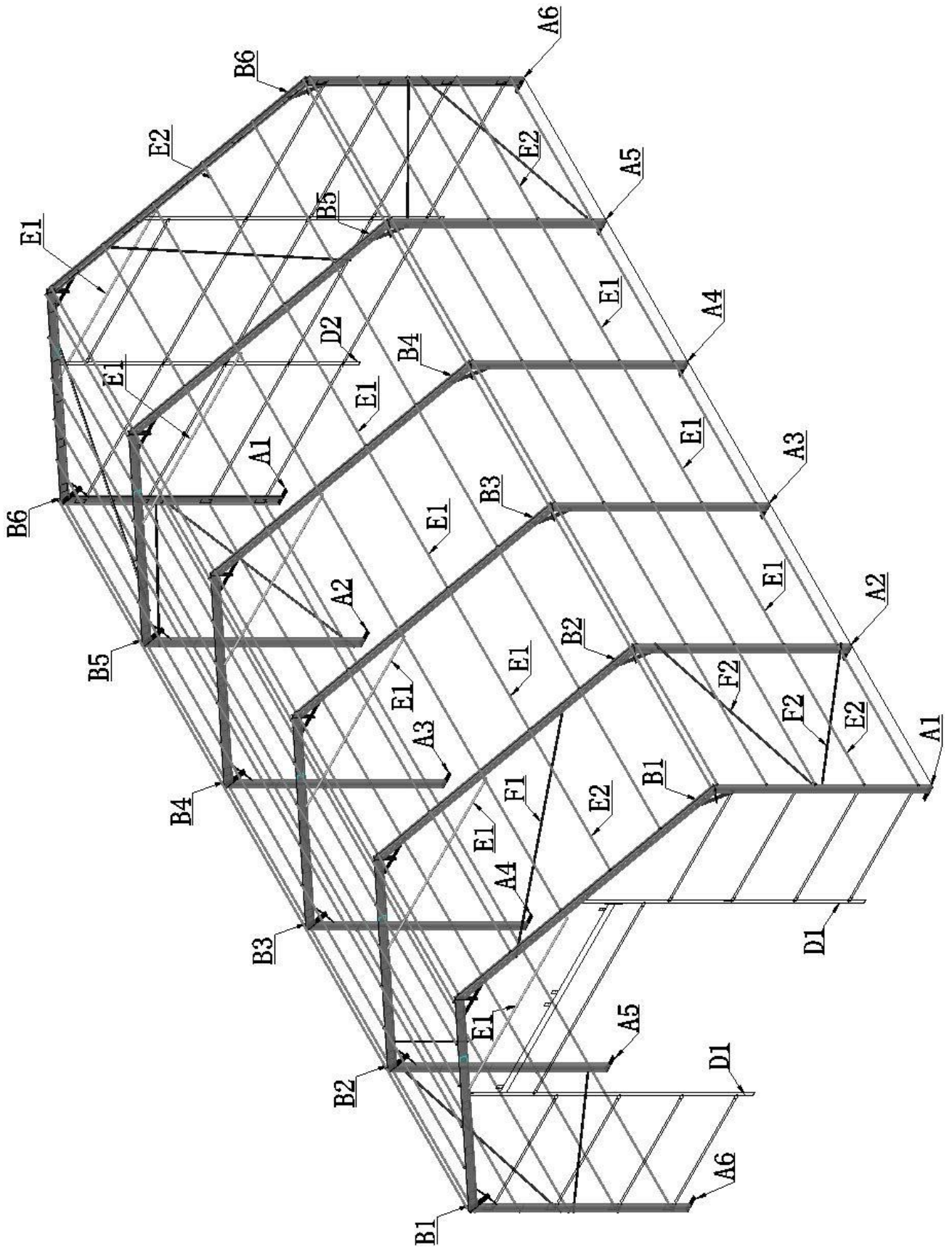
- . The support structure must be level to properly and safely erect and anchor the frame.
- . Drainage: Water draining off the structure and from areas surrounding the site should drain away from the site to prevent damage to the site, the structure, and contents of the structure.

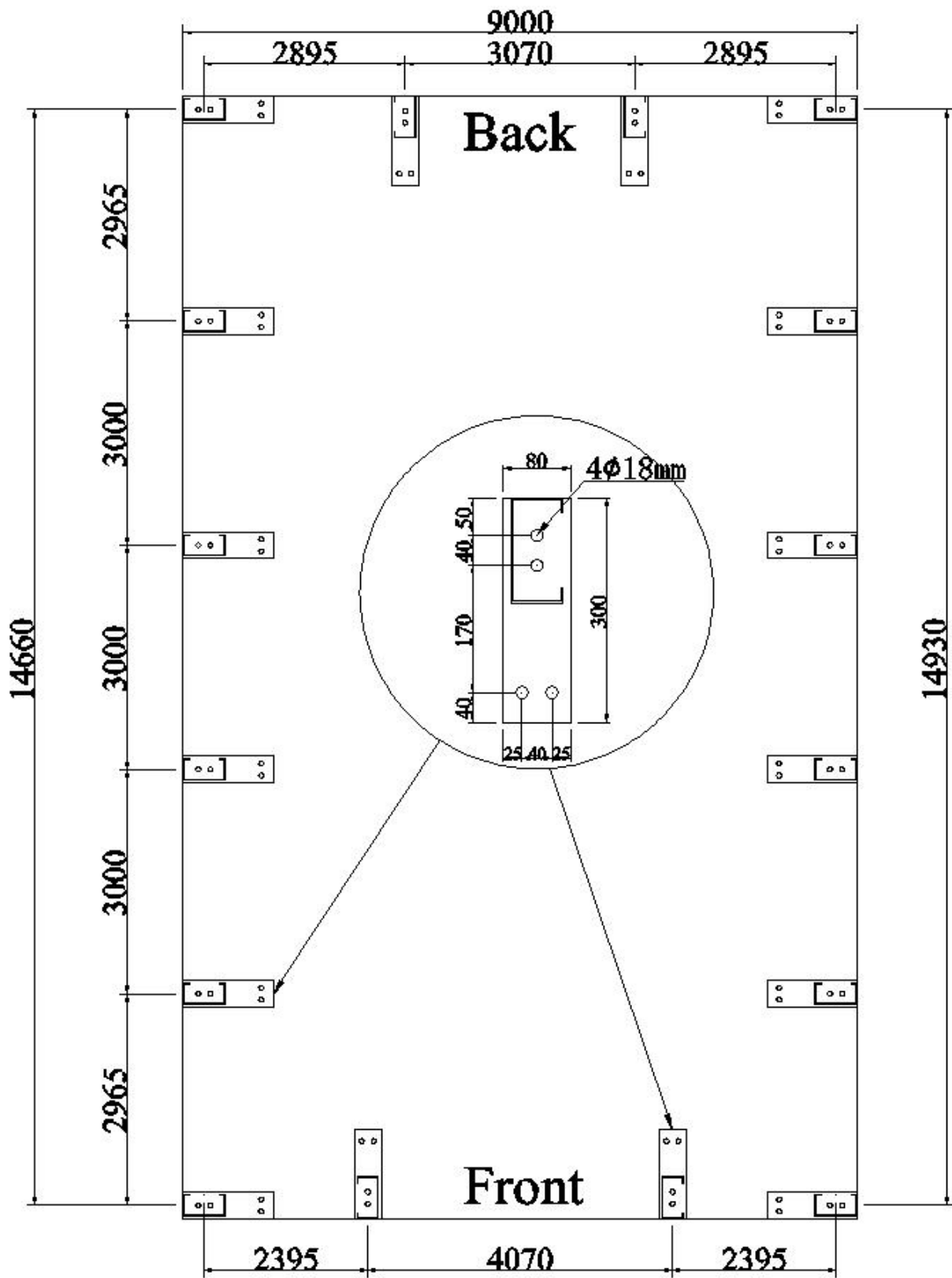
⚠ WARNING: The individuals assembling this structure are responsible for designing and furnishing all temporary bracing, shoring and support needed during the assembly process. For safety reasons, those who are not familiar with recognized construction methods and techniques **must seek the help of a qualified contractor.**

Part List

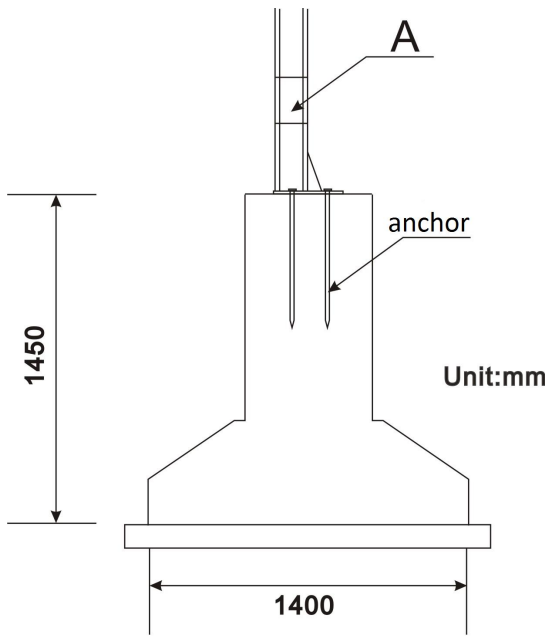
Part Code	Description	Dimension	Quantity (pc)	BOX
A1	Upright	4000mm	2	4/4
A2	Upright	4000mm	2	4/4
A3	Upright	4000mm	2	4/4
A4	Upright	4000mm	2	4/4
A5	Upright	4000mm	2	4/4
A6	Upright	4000mm	2	4/4
B1	Rafter	5150mm	2	4/4
B2	Rafter	5150mm	2	4/4
B3	Rafter	5150mm	2	4/4
B4	Rafter	5150mm	2	4/4
B5	Rafter	5150mm	2	4/4
B6	Rafter	5150mm	2	4/4
D1	Door Frame of Front Panel	5229mm	2	4/4
D2	Door Frame for Back Panel	5507mm	2	4/4
E1	Purlin for Roof and Sidewall (interior)	2994mm	72	4/4
E2	Purlin for Roof and Sidewall (both ends)	2959mm	44	4/4
E4-A	Side Purlin for Back Panel	2890mm	8	4/4
E4-B	Middle Purlin for Back Panel	3064mm	5	4/4
E5-A	Side Purlin for Front Panel	2390mm	8	4/4
E5-B	Middle Purlin for Front Panel	4064mm	1	4/4
F1	Bracing Tube for Roof	4342mm	4	4/4
F2	Bracing Tube for Sidewall	3298mm	8	4/4
G1-A	Tensioning Tube For Cover (Sidewall)	2990mm	6	4/4
G1-B	Tensioning Tube For Cover (Sidewall)	2900mm	4	4/4
G2	Tensioning Tube For Cover (Back Panel)	3990mm	1	4/4

G3	Tensioning Tube For Cover (Front and Back Panel)	2400mm	4	4/4
H	Overhead Door and parts (H1 to H30)		1 set	3/4
I1	Cover for front panel		1	1/4
I2	Cover for middle		1	1/4
I3	Cover for back panel		1	1/4
I4	Inner Cover		1	1/4
J	"L" shape Stake for square tensioning tube	900mm	45	2/4
K	High Strength Bolt M16 for connection of arch		108	2/4
L	Bolt M12x30 for connection of purlin		290	2/4
M	Tool for self drilling bolt		1	3/4
N	Steel Wire Rope (with parts)		4 sets	2/4
O	Knitting Rope for Cover		1 bundle	2/4
P	Nylon Tie for Front and Back Cover		360	2/4
S	Bolt M14x30 for No.D1,D2		8	2/4
T	Bolt M10x140 for shaft bracket of overhead door		8	2/4
C	Bolt M10 x30, No.V-8pcs, No.H8-3pcs		11	2/4
V	Cross Beam for front panel		1	3/4





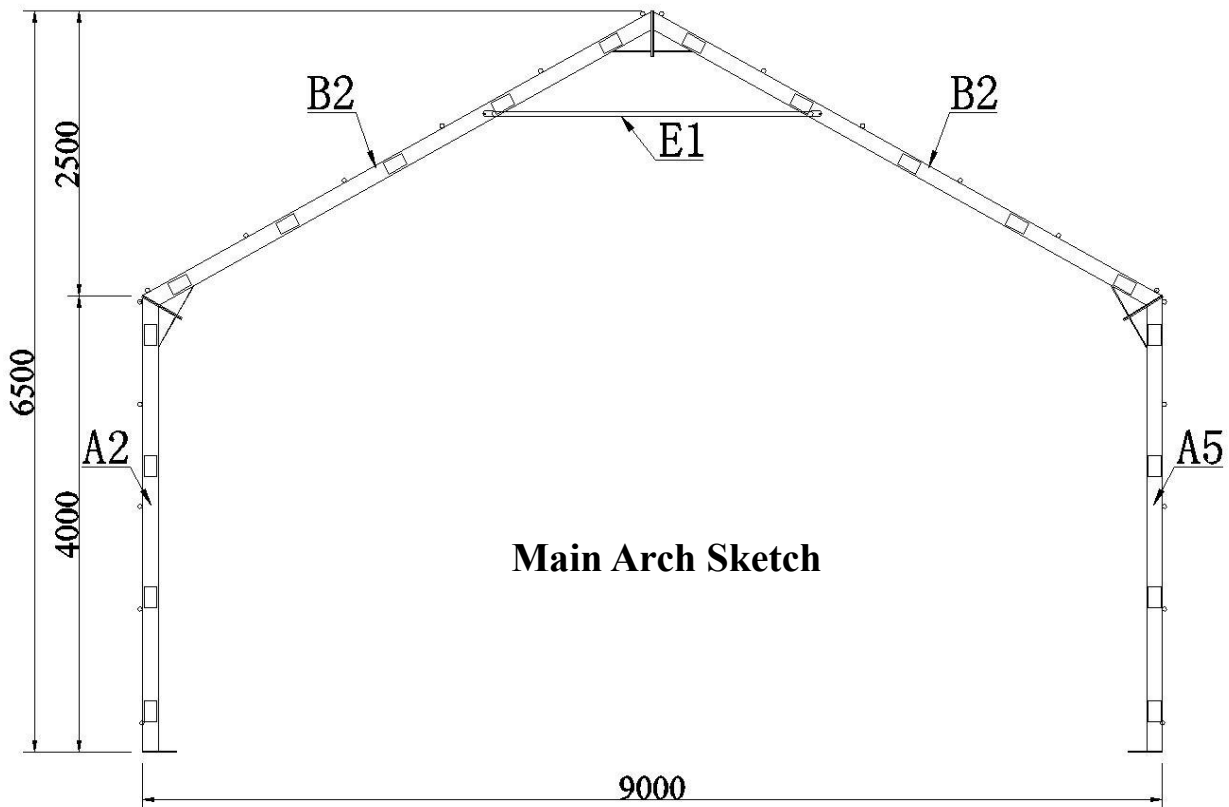
- In order to reach the wind load and snow load, our suggestion is to dig 1.5m deep hole for the anchors. 3 anchors are required for each interior base (2 anchors for the front and back panel base).



Anchor Sketch

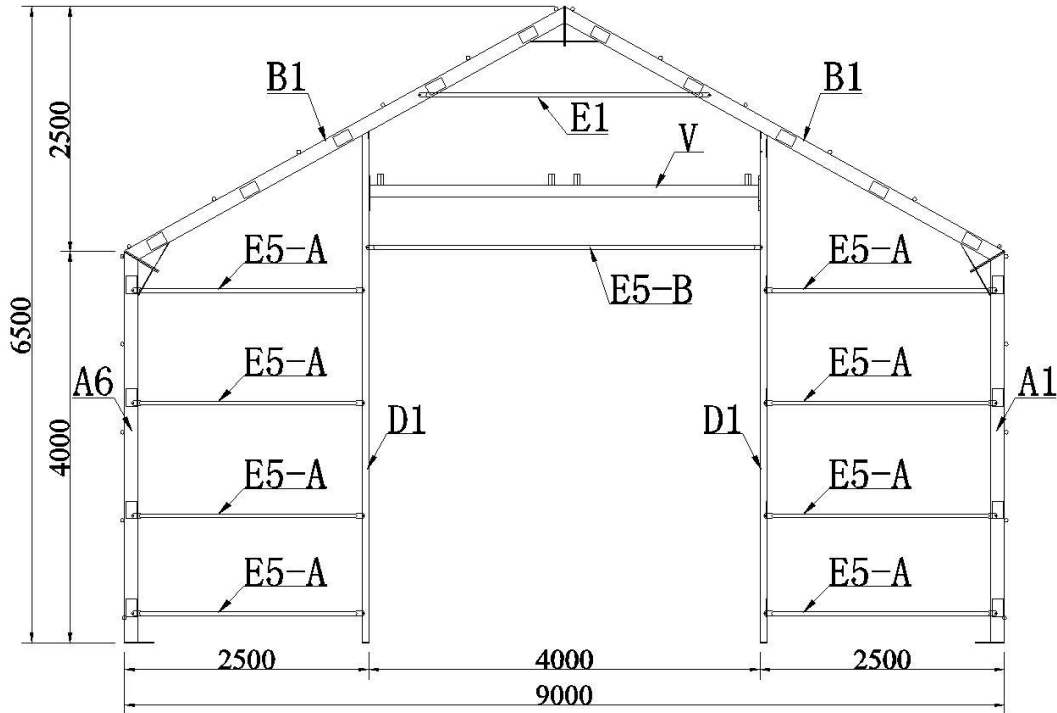
B--FRAME INSTALLATION

- As “Main Arch Sketch” shows, connect Rafter (No.B1 to B6) to Upright (No.A1 to A6) by Bolt M16 (No.K, the high strength bolt for steel structure) to be an arch. There are 6pcs of bolts for every two parts and 6 arches for 15m long tent.

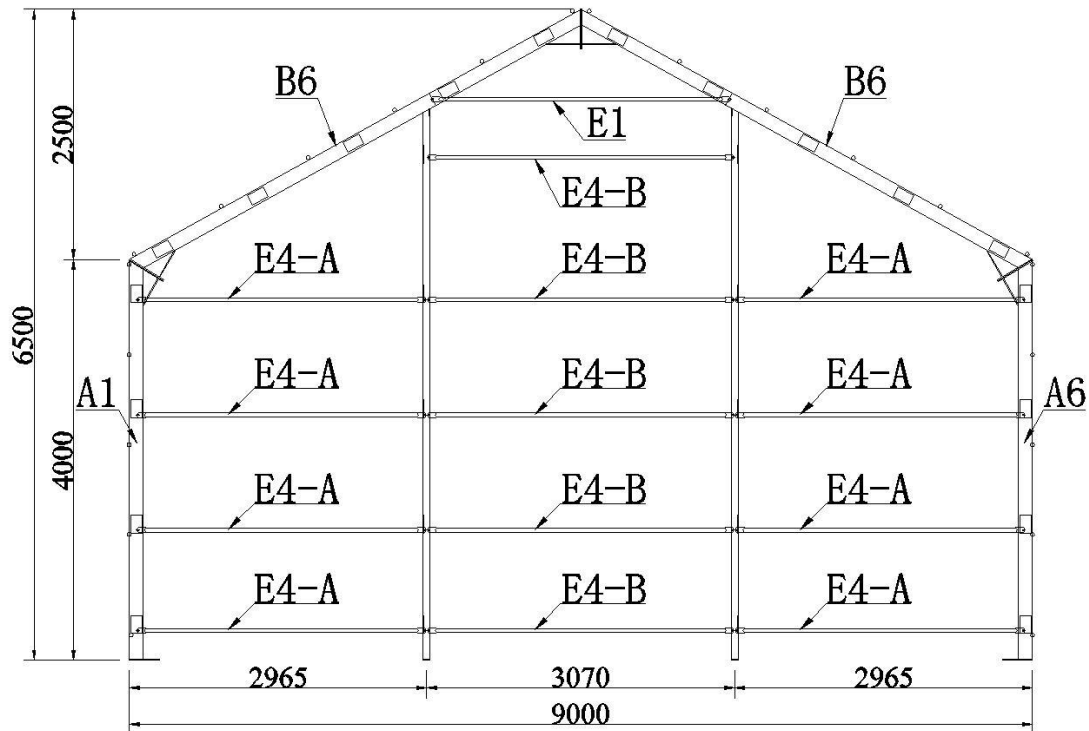


Main Arch Sketch

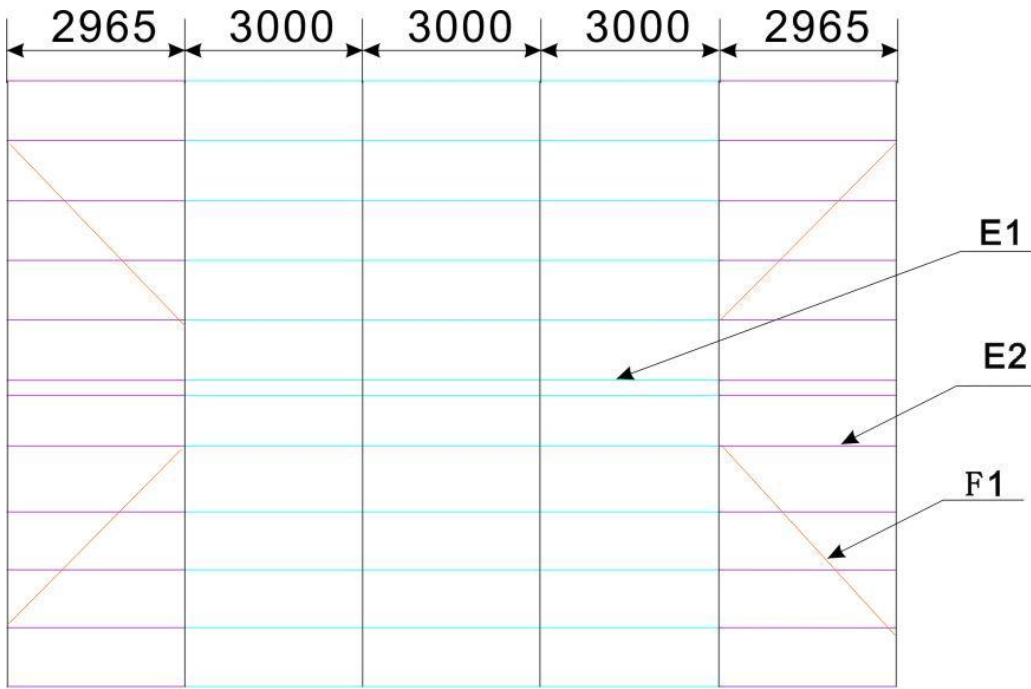
2. When finish installing all the 6 arches, connect the Front Door Frame (No. D1L, D1R) to the front panel and Back Door Frame (No. D2) to back panel by Bolt M14x30 (No. S)
3. When finish installing the main arches and door frames, connect Purlins (No. E1, E2, E4-A, E4-B) onto them by using Bolt M12. Connect the Bracing Tubes (No.F1& F2) to the frame by Bolt M12. Please refer to “Front Panel Sketch”, “Back Panel Sketch”, “Roof Structure Planform” and “Sidewall Sketch with Bracing Tube” for purlin and bracing tube installation.



Front Panel Sketch

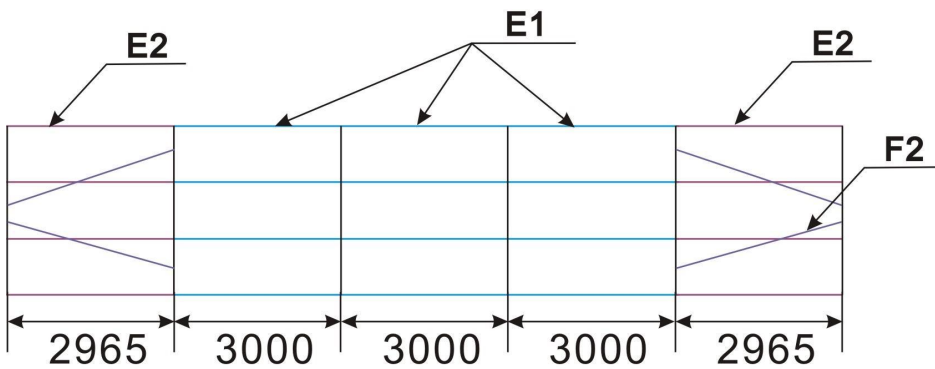
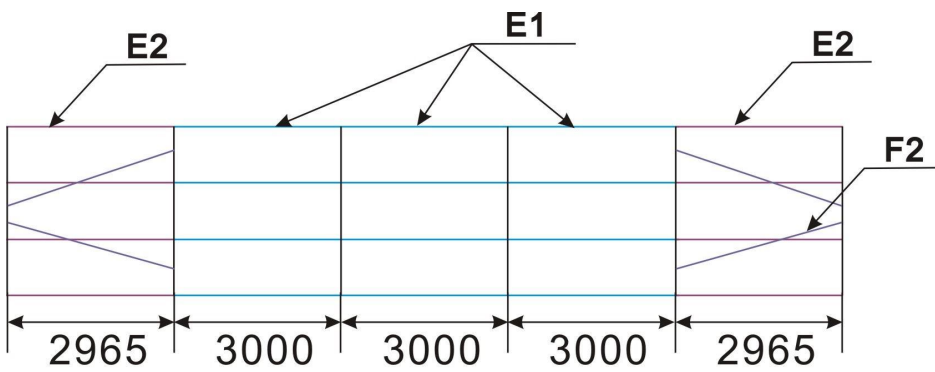


Back Panel Sketch



Roof Structure Planform

Unit:mm

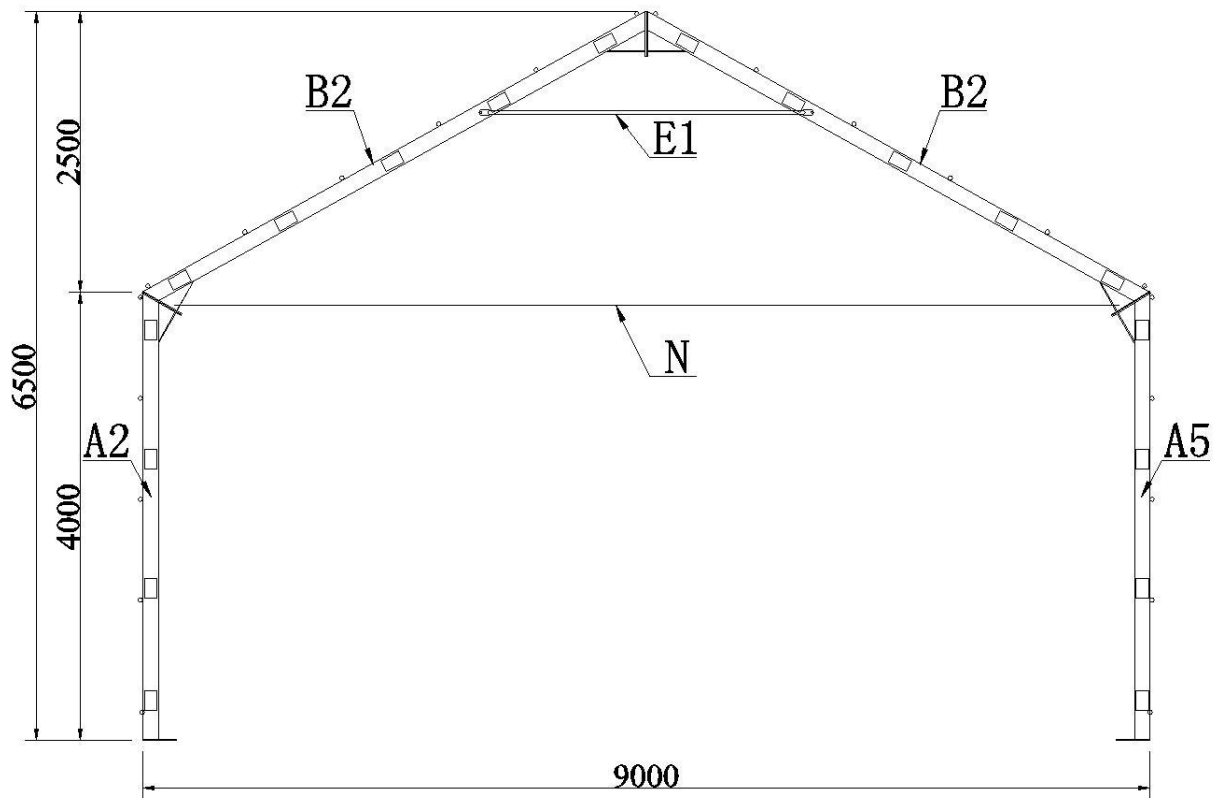


Unit:mm

Sidewall Sketch with Bracing Tube

Option: Steel Wire Rope Installation

Install the steel wire rope (No.N) between uprights according to your requirements.



C--Cover Installation

1. There are three parts for the cover, which are front cover with front panel, mid cover and back cover with back panel (No.I1, I2 and I3). They are connected by the supplied rope (No.O) as Figure 1 shows.

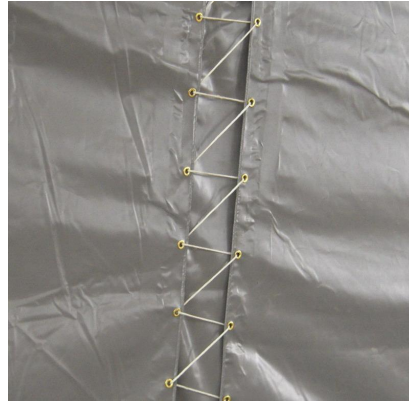
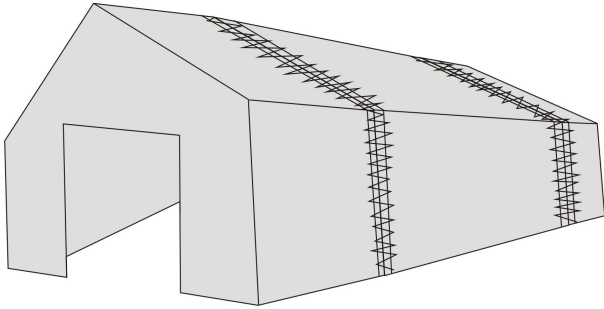
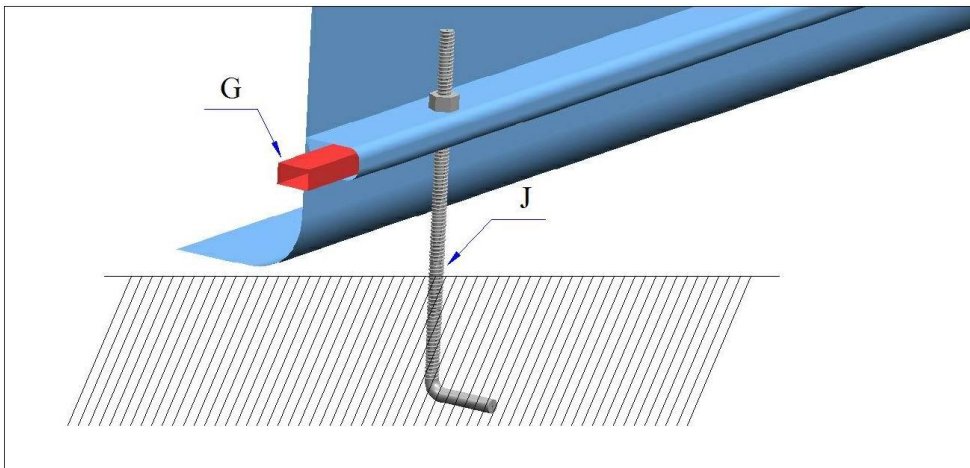


Figure 1

2. Insert the square tensioning tubes (No.G1-A, G1-B, G2 and G3) into the Roof cover pipe pockets and fix them by the “L” shaped stakes (No. J), then tension the cover. Each tensioning tube is equipped with 3pcs of stakes for sidewall and front and back panel.



D—Overhead Door Installation



RECOMMENDED TOOLS

measuring tape

plumb bob

spirit level

jig

spanner

hammer

electric portable drill

ladder





Parts List for Overhead Door (W4.0xH4.0m)

Order No.		2016GK8003			
No.	Description	Picture	Unit	Quantity	Box
H1	2"horizontal curve track		pair	1	3/4
H2	2"vertical track and its fixing plate		pair	1	3/4
H3	Solid steel shaft with keyway		piece	2	3/4
H4	shaft bearing		piece	1	3/4
H5	keybar (H13 -2pcs,H4-1pc, H9-2pcs)		piece	5 (&3extra)	3/4
H6	shaft bracket		piece	2	3/4
H7	perforated angle (short)		piece	2	3/4

H8-1	bracket for motor		piece	1	3/4
H8-2	motor		piece	1	3/4
H8-3	stop ring for motor		piece	2	3/4
H8-4	electric control box		piece		3/4
H8-5	keybar for motor		piece	1	3/4
H9	antibreak system		set	2	3/4
H10	spring		set	2	3/4
H11	steel cable		bundle	1	3/4
H12	steel cable clip		piece	4	3/4

H13	cable drum		pair	1	3/4
H14	roller		piece	18	3/4
H15	double side hinge		piece	14	3/4
H16	double middle hinge		piece	14	3/4
H17	double top roller bracket		piece	2	3/4
H18	bottom roller bracket		piece	2	3/4
H19	top and bottom rail		piece	2	3/4

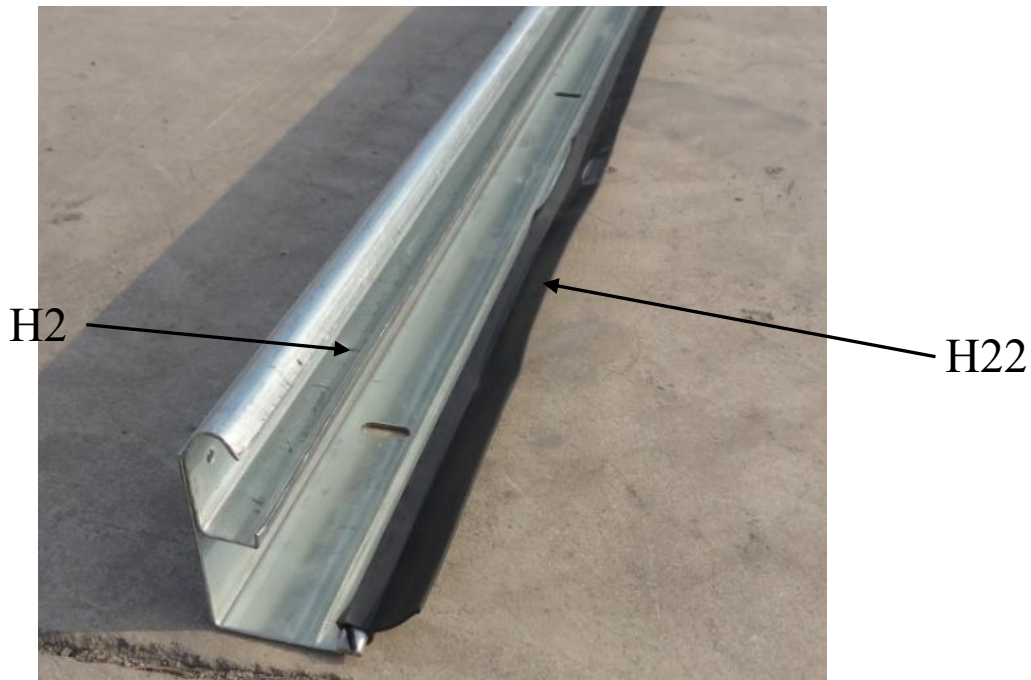
H20	top rail and top seal		piece	1	3/4
H21	bottom seal		piece	1	3/4
H22	side seal		pair	1	3/4
H23	safty control device		set	1	3/4
H24	panel		piece	8	3/4
H25	M6x19 self drilling screw(300pcs)		bag	1	3/4
H26	handle		set	1	3/4

H27	M6X14 screw(20pcs)		bag	1	3/4
H28	M8X16 screw(15pcs)		bag	1	3/4
H29	spring bumper		piece	2	3/4
H30	perforated angle (long)		piece	8	3/4

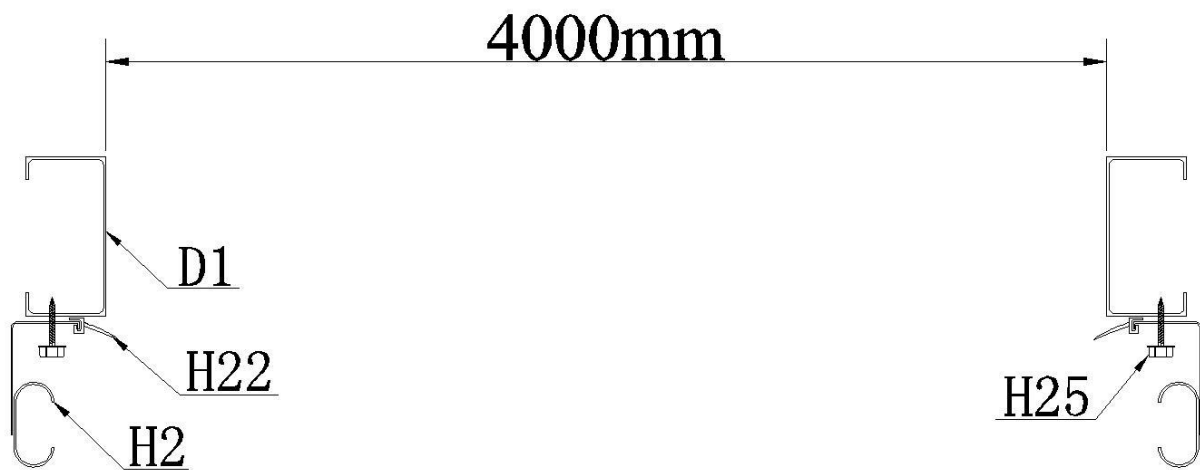
I To install the track

1. To install the vertical track and its fixing plate

a. Install the side seal (No.H22) to vertical track and its fixing plate (No.H2)

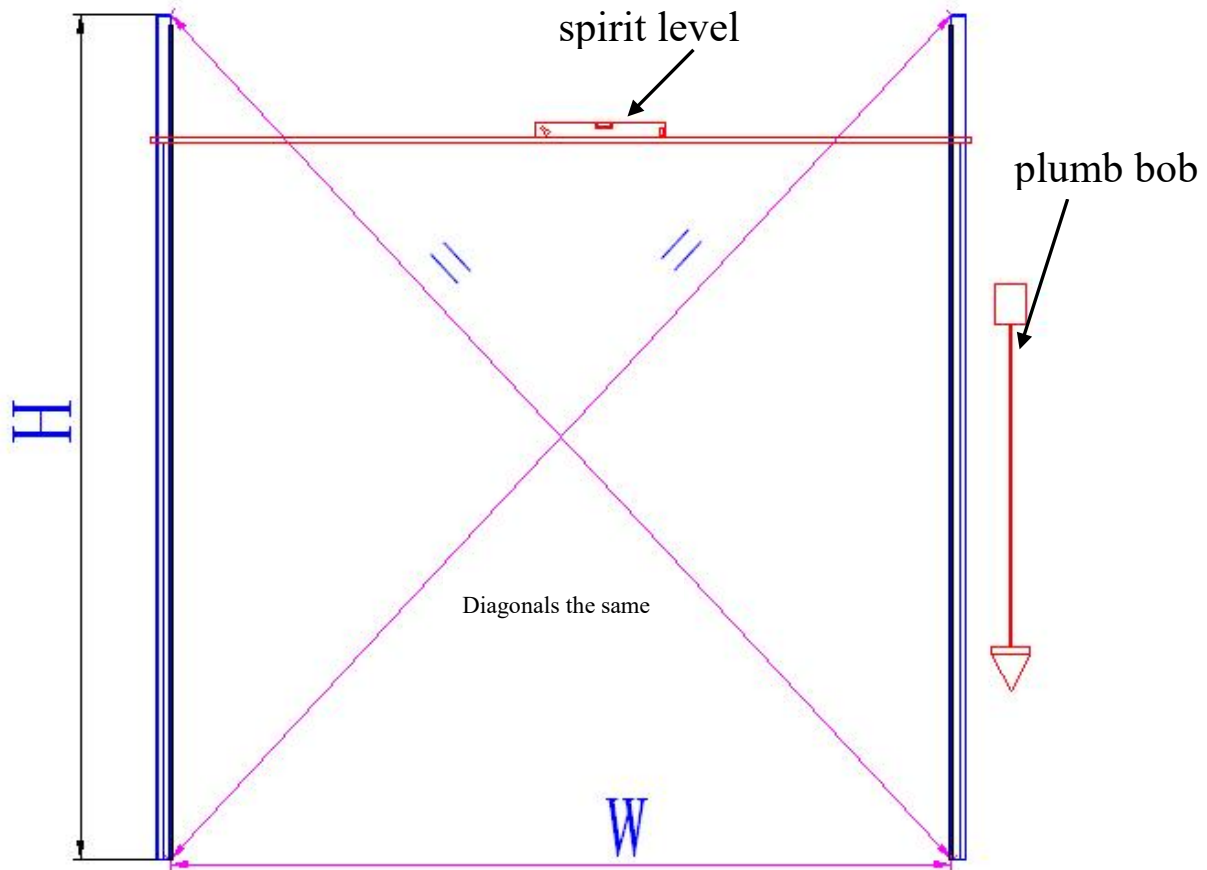


b. Please position and install according to the below pictures. Fix the vertical track and its fixing plate (No.H2) to door frame (No.D1) by jig, makes the edge of D1 and H22 in a horizontal plane.



c. Adjustment of vertical track

1. make sure the vertical track is vertical by plumb bob
2. make sure two vertical tracks are in the same level by spirit level
3. fix the vertical track in the door frame by jig
4. diagonals the same, error less than 5mm
5. use the self drilling screw (No.H25) to install the track to door frame



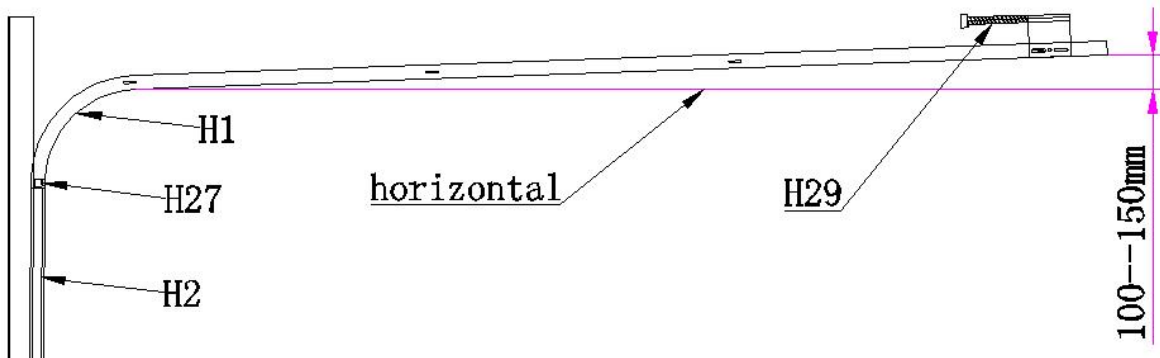
d. install the roller (No.H14) in track (No.H2), 9pcs for each side



2. To install the horizontal curve track

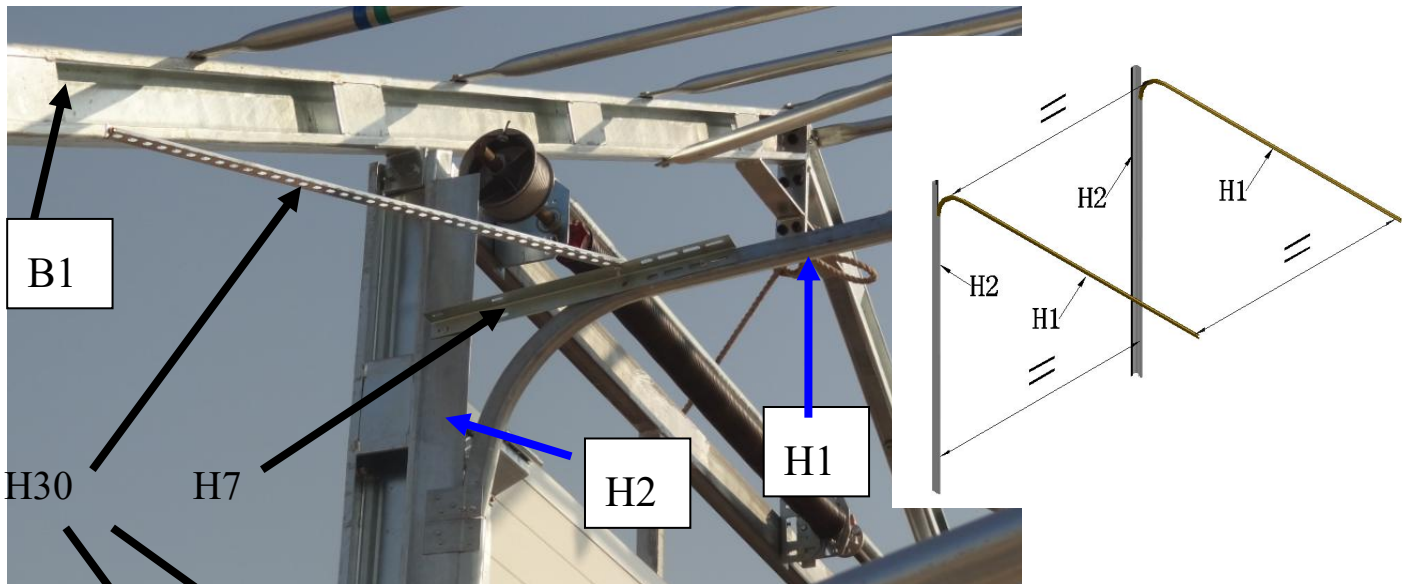
a. Connect the horizontal curve track (No.H1)to H2 by M6x14 screw (No.H27).

Install the spring bumper (No.H29) to horizontal curve track (No.H1) by M8X16 screw (No.H28).



b. Connect the horizontal curve track (No.H1) to rafter (No.B1, B2) by the short and long perforated angle (No.H7 &H30)

Note: the back end is higher than the front 100 to 150mm, and make sure the distance between H1 and H2 equal, error less than 5mm .

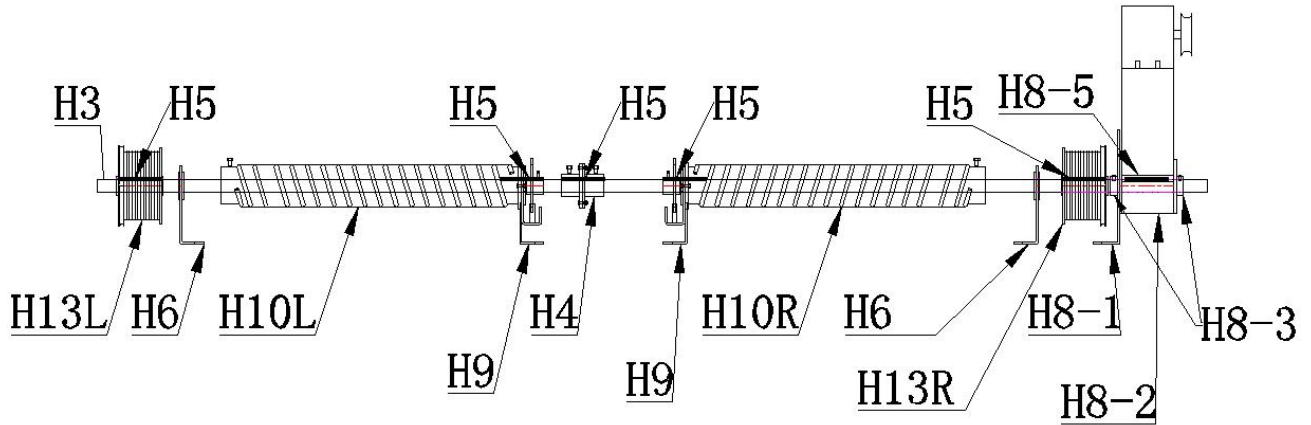


II To install the balance system

1. the shaft and the spring

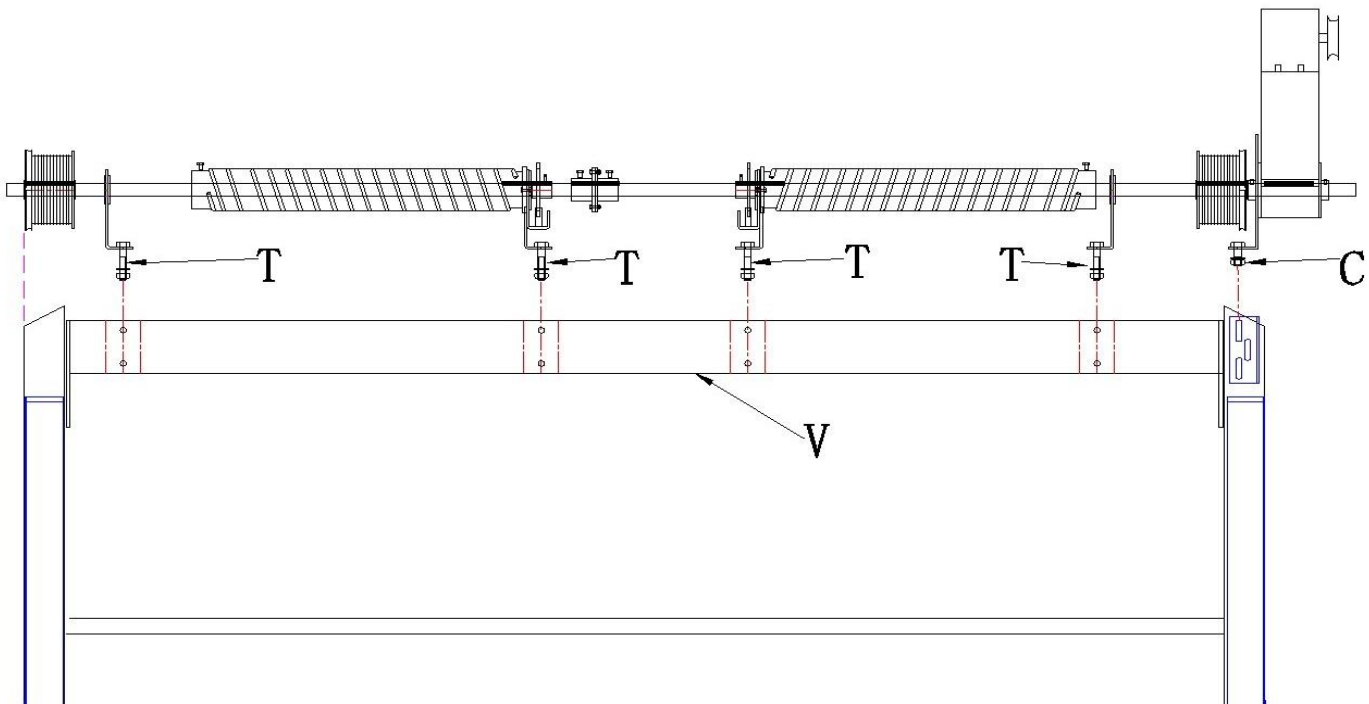
Note: the left and right for spring (No.H10) and cable drum (No.13) is different.

balance system



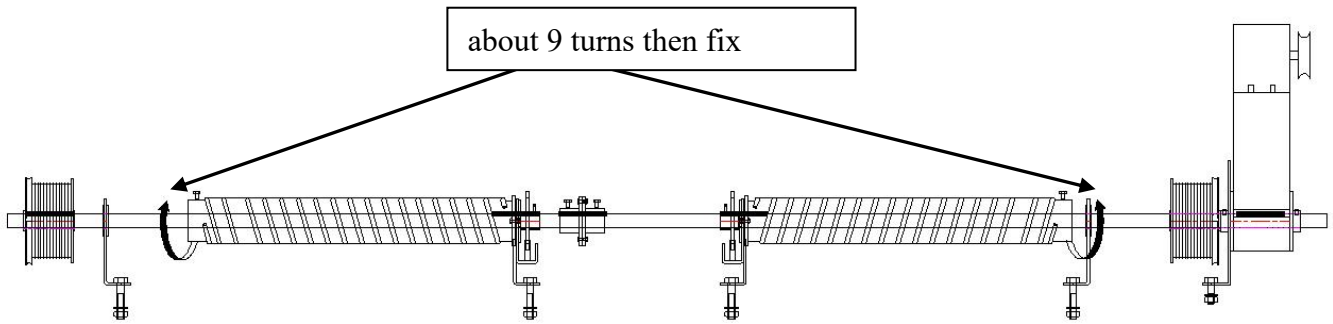
2. Install the balance system to cross beam for front panel (No.V) by Bolt M10x130 (No.T).

Install H8-1、H8-2、H8-3、H8-5 to H3

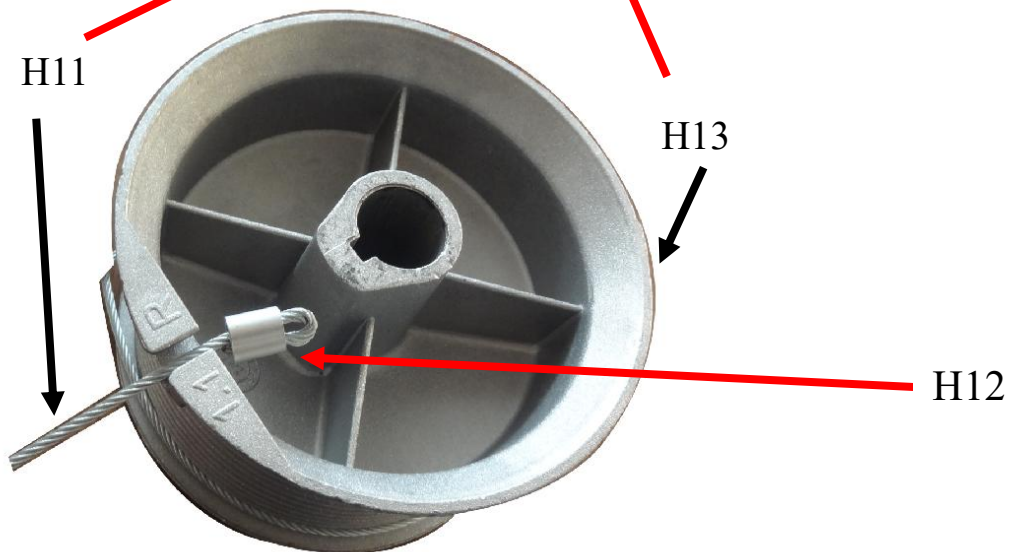


2. Fix the spring

Please note the direction of rotation

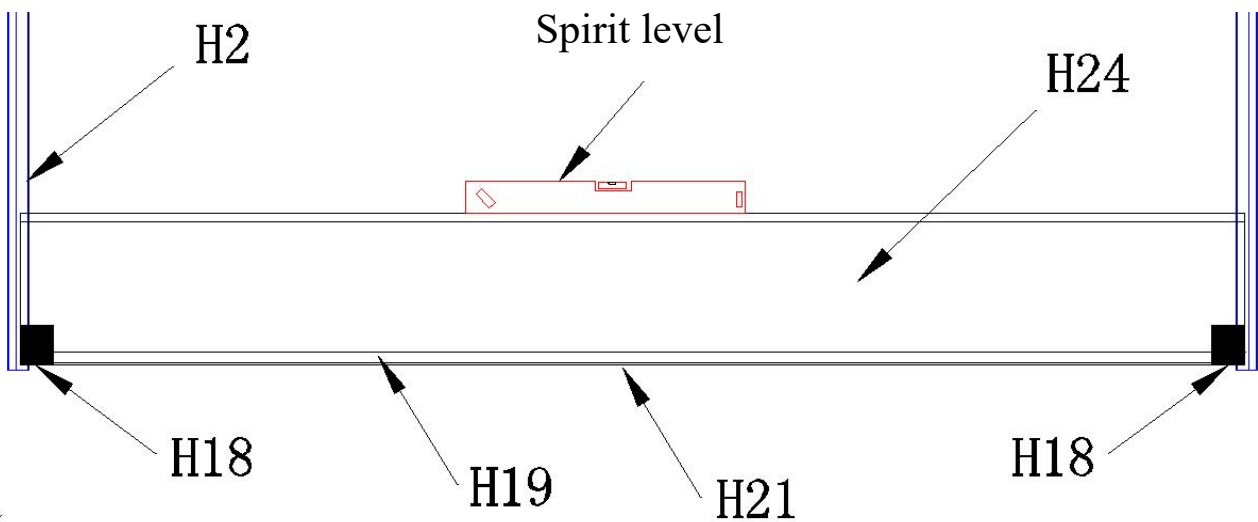
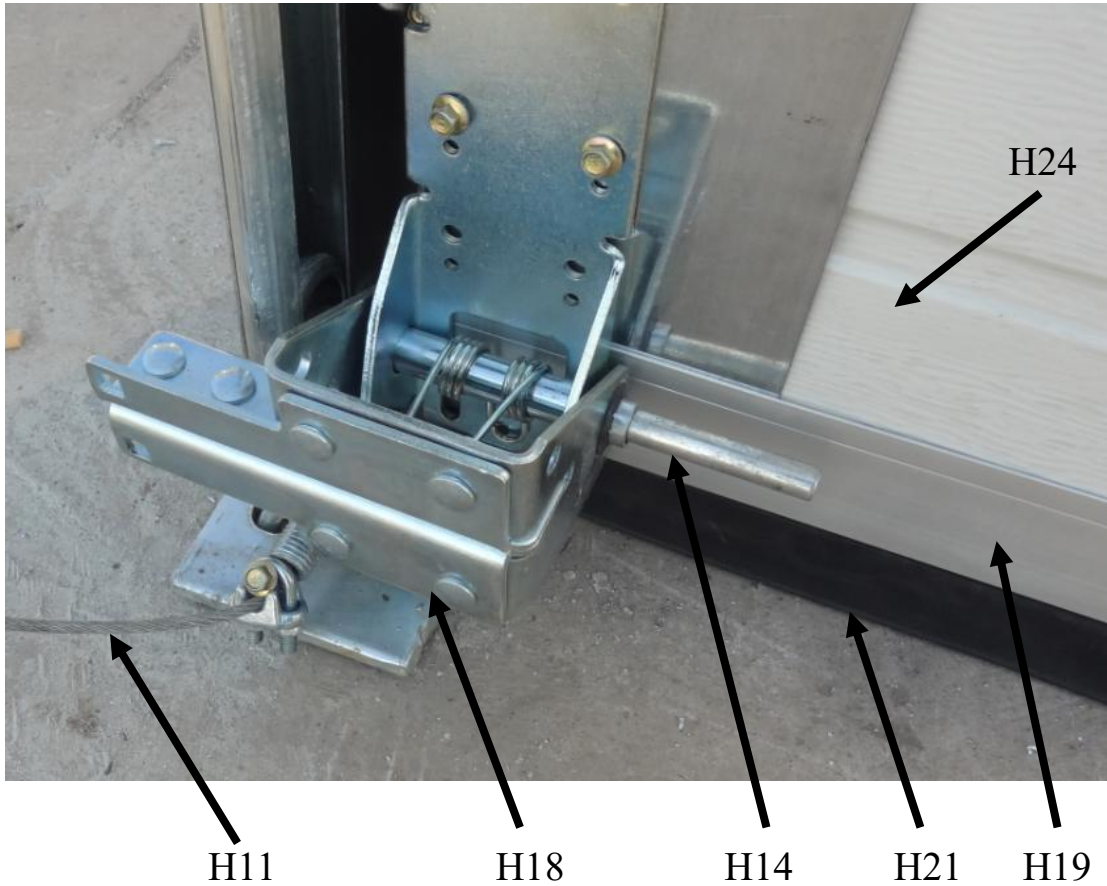


4. Install the steel cable (No.H11) to the cable drum (No.H13) and winding a circle.



III To install the door plate and door hardwares

1. Install the bottom panel (with bottom rail H19 and bottom seal H21 installed) to between tracks
2. Install the bottom roller bracket (No.H18)
3. Make sure the bottom panel is horizontal by spirit level
4. Put the steel cable (No.H11) through the hole of bottom roller bracket H18 and fix.

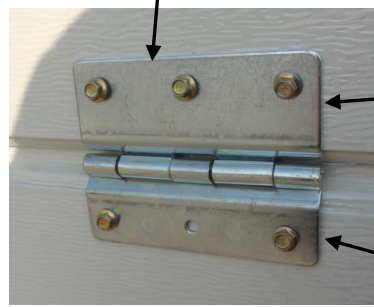
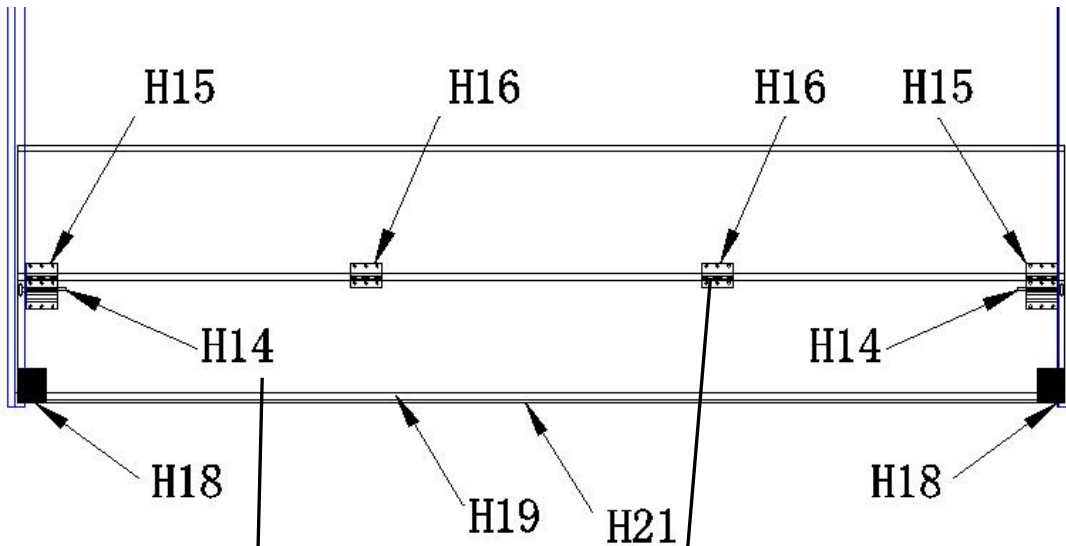


5. Install the 2nd door panel and fix by H15,H16 and H25

The 3rd, 4th, 5th, 6th, 7th panel installation is the same as 2nd.

Note: the roller (No.H14) need to through double side hinge (No.H15)

Please note the direction of double middle hinge (No.H16)



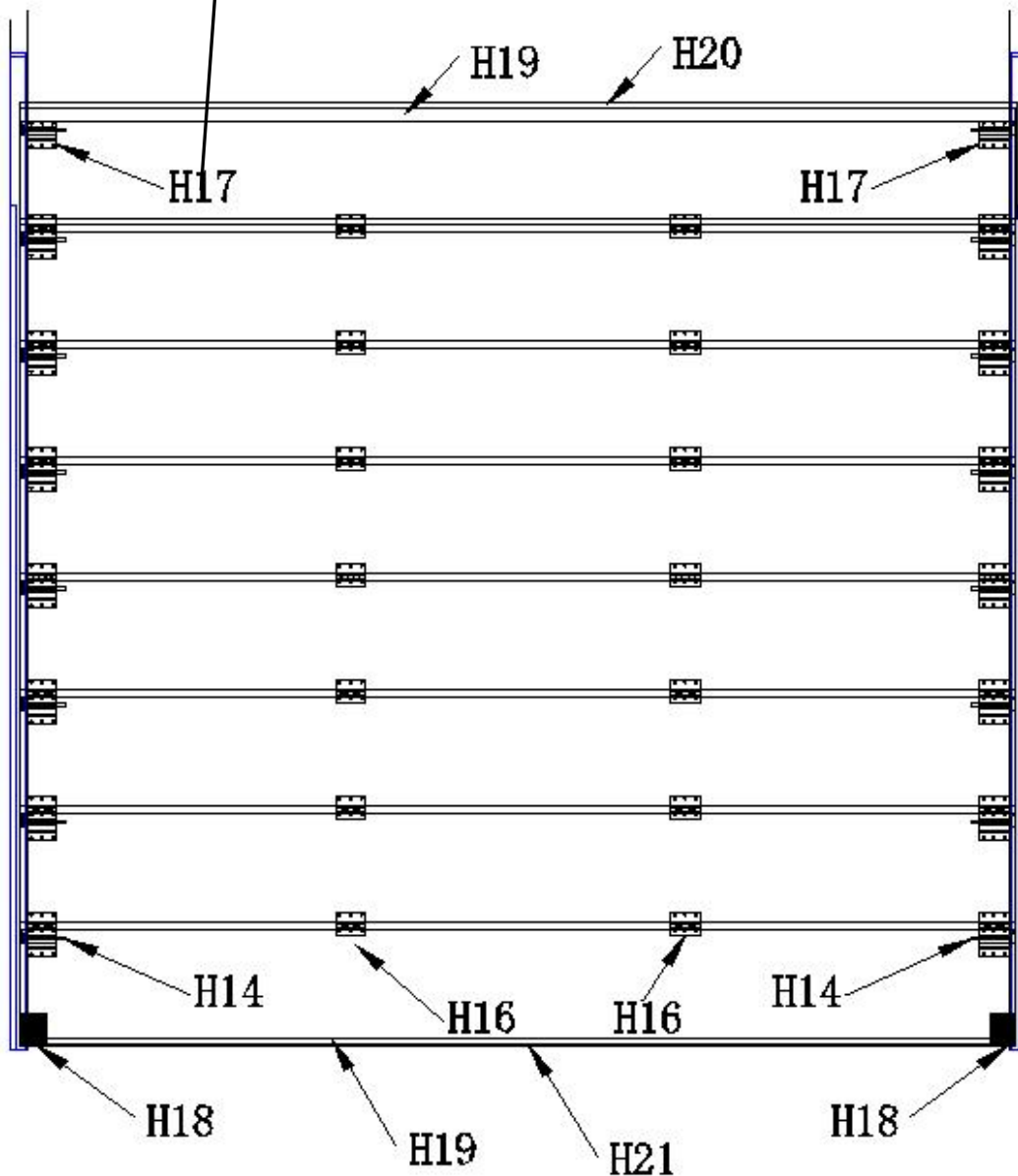
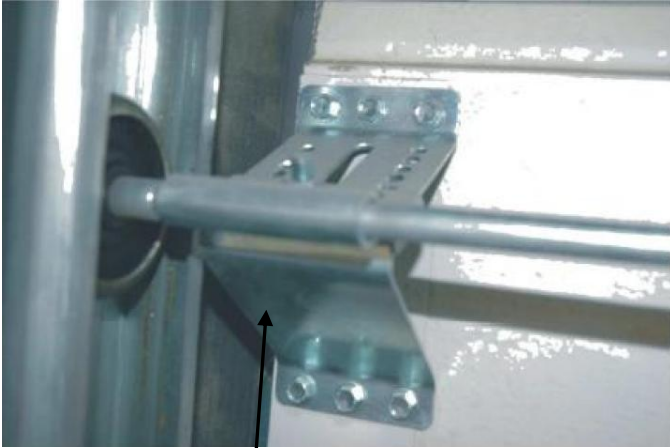
broadside-up

narrow side-down

6. Install the top door panel (the 8th panel)

To install top roller bracket

After installing the top door panel, install the top roller bracket (insert the roller into bracket and connect with the track beforehand), adjust the position of top roller bracket according to the top panel and the track, and make sure the seals is good to prevent the outside items.



IV To adjust the whole door

When finish all the above installing, still need to adjust the whole door, then the door can be used normally.

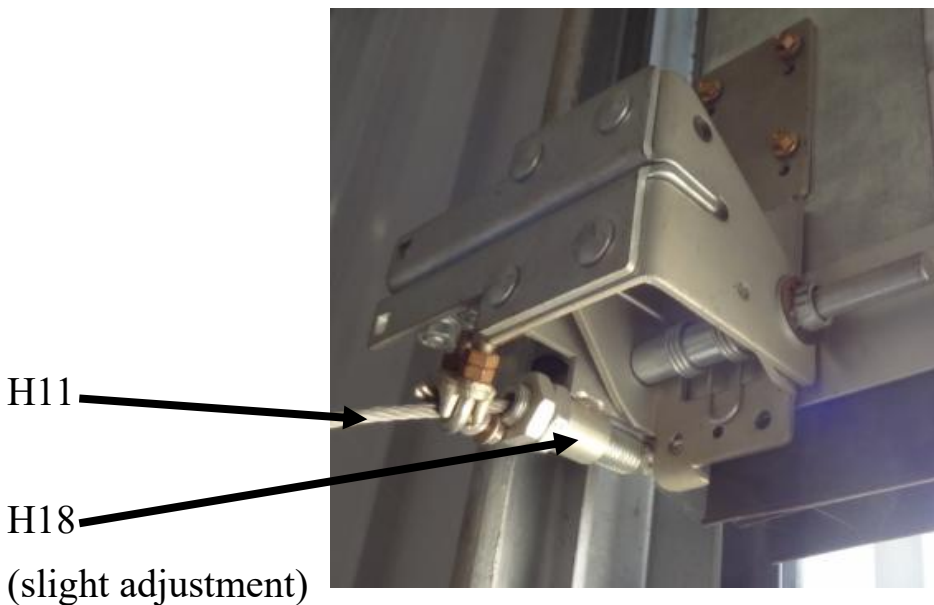
To adjust the panel position manually

To fix the hinge angle by adjust the rollers, make sure the rollers can be connected well with the track, in order to adjust the position of whole door panel, to make sure the door panel is vertical, the seal being fixed well, and no obstruction during the door traveling.



Pull the chain and observe

If the door plate run-off the straight, straight it by adjusting the length of steel cable, ensure both sides has the equal length.



When finish manual adjustment, please ask a professional electrician to connect the motor and electric control box (No. H8-4, H8-2) and safety control device (No.H23) together. Then turn on the power and adjust again.

Now the installation is completed.